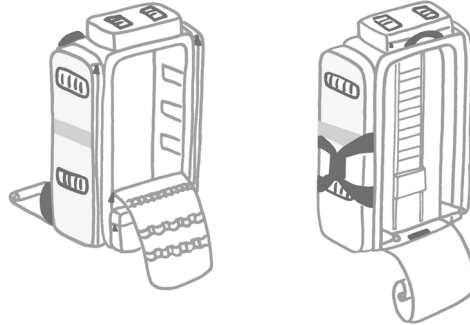


ALPEN SACK

Professional backpack for mountain rescue



Backpack ideal for mountain rescue thanks to the high capacity and the optimal distribution of the load on the rescuer's back.

Specific Characteristics

Extremely resistant fabric for maximum reliability in hardest conditions

1 main compartment with paddings and strap belts to allow storage of a bottle up to 2L

Access to the main compartment may be from the front flap or from the opening in the lower part of the backpack which allows to pick up small objects easily

2 lateral pockets with zip closure

Upper compartment with zip closure with opening from the dorsal side to allow access to the content without removing the backpack

Elastic bands on the internal side of the front flap to store accessories

Straps on the bottom to store a rope, a towel or blanket

Padded shoulder straps adjustable both in height and width, with a waistband with quick release closure

Adjustable anatomical lumbar support equipped with quick release belt

Handles placed on the side allow to carry the backpack like a bag

Aluminum reinforcements in the back increase structural rigidity and improve the load distribution

Frontal and lateral reflective labels

Technical data

Dimensions	740x410x180 ± 10 mm
Lumbar support width	700 ± 10 mm
Lumbar support thickness	25 mm
Volume	38 ± 1 L
Loading capacity	25 kg
Materials	Cordura, Nylon
Weight	2,22 ± 0,03kg

ALPEN SACK ORANGE-PROFESSIONAL
BACKPACK FOR MOUNTAIN RESCUE
CB00600D

Rev.1 (10/06/2015)

UNCHECKED COPY – further revisions will be available on <http://support.spencer.it>
Spencer Italia S.r.l. Collecchio (PR) Italia Tel. +39.0521.541111 Fax +39.0521.541222

www.spencer.it