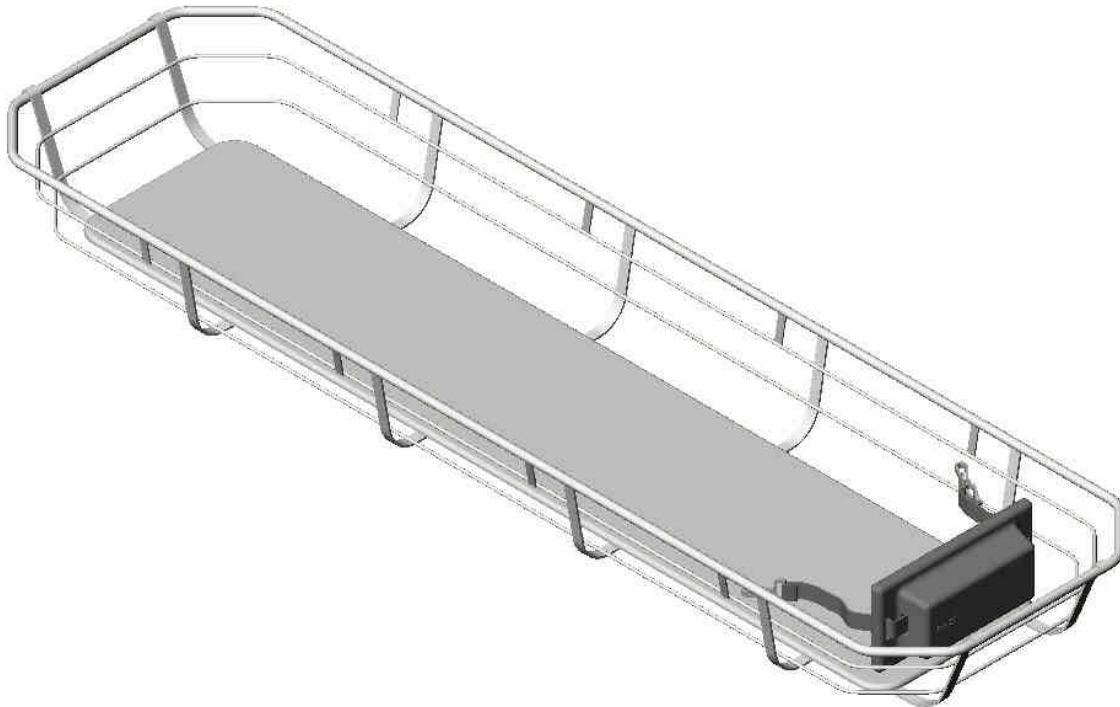


SPENCER®

User's Manual

DAKOTA

Basket Stretcher



We hereby that
the basket stretcher **SPENCER SHELL**
is conform with the MDD 93/42/EEC.

INDEX

General information	page 2	Operating instructions	page 3
Warning	page 2	Maintenance	page 5
Device description	page 3	Accessories and spare parts	page 5

Spencer Italia S.r.l. Strada Cavi n°7 - 43044 Collecchio (PR) ITALY
tel. +39 0521 541111 fax +39 0521 541222 e-mail: info@spencer.it

www.spencer.it

Thank you for preferring a product



1 GENERAL INFORMATION


1.1 USE AND CONTENTS

This manual was written to give the Clients all the necessary information for using the device correctly and in the safest possible way. It contains Technical data, Instructions for Use, Maintenance, information on spare parts and Safety guides.

1.2 PRESERVATION OF USER'S MANUAL

This User's Manual must be stored near the product, protected from anything, which could compromise its integrity and legibility.

1.3 SYMBOLS USED

SIMBOLS	MEANING	NOTES
	WARNING	Indicates serious risk of death for the patient health and/or the operators

1.4 REQUEST FOR SERVICE

For any information concerning use, installation and maintenance contact the Spencer Customer Service at 0039 0521 541111, or write to: Spencer Italia Srl • Strada Cavi, 7 • 43044 Collecchio (PR) • E-mail: info@spencer.it
In case of doubt on how to interpret the instructions, ask the manufacturer for the necessary explanation.

The users must to read this manual carefully, paying special attention to safety precautions and operating instructions.

1.5 DEMOLITION

Follow laws in force.

1.6 LABELLING

- Labels on the device must not be removed, damaged or covered.

To make customer service easier, please indicate the product batch number (LOT).



2 WARNING

2.1 GENERAL WARNING



- The device must not be tampered with. Spencer declines any responsibility for incorrect operation or damages to others caused by unauthorised alterations.
- Inspect the device regularly: perform the prescribed maintenance to keep it in good condition for safe operation and long life.
- Never alter or modify the device to fit the emergency vehicle. Modification can cause unpredictable operation and possible patient or operator injury.
- If at any time the device does not operate properly, take it out of service immediately, until adjustment, repair or replacement can be made.
- Make sure to protect yourself to avoid the danger deriving from contact with blood or body fluids.
- Use the device only as described in this manual.

2.2 SPECIFIC WARNING

- Follow the operations approved by the Emergency Medical Service for the locking and the transport of the patient because failure to immobilize correctly can cause serious damage to the patient.
- Do not use without the necessary training.
- Use of the stretcher requires two physically adapt operators.
- The patient must always be immobilised on the Dakota stretcher.
- Do not operate if the weight is not evenly distributed.
- Do not leave patients unattended on the device.
- The device must not be exposed nor get in contact with thermal sources of combustion and flammable agents.
- Do not exceed the maximum loading weight (as indicated in the Instruction Manual).

2.3 PHYSICAL REQUIREMENTS OF THE OPERATORS

Spencer Dakota are exclusively meant for professional use. Rescuers who use it must have the following requirements:

- be physically capable of using the stretcher
- be able to grasp the stretcher firmly with his/her hands
- have sound muscular co-ordination

2.4 CONTRAINDICATIONS OF USE AND COLLATERAL EFFECTS

If used by trained personnel, who are aware of the standards of emergency rescue and first aid, this type of device does not present peculiar contraindications or collateral effects.

3 DESCRIPTION OF THE DEVICE

3.1 INTENDED USE

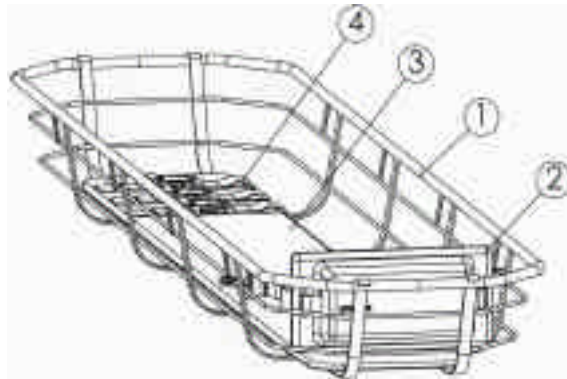
Dakota stretchers are meant for the recovery and transport of patients and can be used in any type of rescue operation to protect the patient from lateral collisions and where it is impossible to reach the casualty with ordinary means of transport.

This device can be used for helicopter transport.

The patient must not intervene on the device.

3.2 MAIN COMPONENTS

1. Zinc steel frame
2. Footrest
3. Wood platform
4. N.3 Immobilisation Straps



3.3 MODELS

MODEL	CODE
Dakota	ST04005A
Dakota light	ST04006A

3.4 TECHNICAL DATA

DATI TECNICI	DAKOTA	DAKOTA LIGHT	DATI TECNICI	DAKOTA	DAKOTA LIGHT
Max Length	2050 mm	2050 mm	Capacity	278 kg	278 kg
Max Width	570 mm	480 mm	Stretcher frame	Zinc steel	Zinc steel
Max Height	190 mm	190 mm	Stretcher surface	Multi-layered poplar wood	Multi-layered poplar wood
Weight	14,6 kg	13,8 kg		1750x350x10	1750x250x10

3.5 ENVIRONMENTAL CONDITIONS

Both during use and stocking: from -20° to +60°C

4 OPERATIONS

4.1 TRANSPORT AND STOCKING

Before effecting transport of the device, make sure it is packed adequately and that the risk of bumping or falling of the parcel is minimised.

When stocking do not place heavy materials on top of the stretcher; the stretcher must never be considered as a resting table for any type of material.

Keep the original packing carton for any future transportation of the device. Damages caused by transport and handling of the device are not covered by the warranty. Repairing or replacement of damaged parts is at the Customer's charge.

The Shell must be stocked in a dry, humidity-free environment.

4.2 PREPARATION

When you receive the product:

- take the materials out of the carton and display them in a visible and neat manner.
- check the integrity of all parts.
- On opening the packing and before each use check the attachment of the platform to the frame.
- Install the belts to the frame as shown in the figures.



Before using the stretcher, always check the following:

- Are the restraint belts for immobilisation of the patient in the box?
- Is the footrest in the box?

If everything is regular, the stretcher is ready to be used. Should you have further enquiries concerning the above, please contact Spencer Customer Service at the above address or phone the number provided.

In any case, should the stretcher appear to be unfit for safe and correct functioning, it is necessary to PUT IT OUT OF USE until repairing or replacement of the damaged parts is carried out.

USE OF THE DEVICE

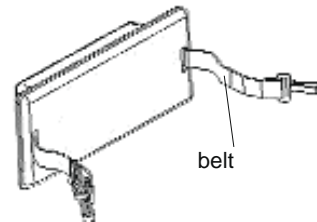
4.3



- Follow the operations approved by the Emergency Medical Service for the locking and the transport of the patient
- Read the instructions carefully and practice with an empty stretcher before regular use.

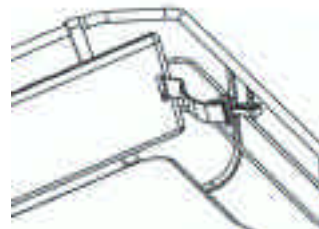
Putting the patient in the stretcher

- Place the stretcher as close as possible to the patient before transfer.
- Load the traumatised patient using the adequate immobilisation devices (spine board, vacuum mattress).



Fixing the footrest

- Fix the footrest at the correct level so that the plane surface of the footrest is in contact with the patient's feet thus avoiding longitudinal movements, inserting the hooks at the ends of the belt, in correspondence of the vertical mount of the frame.
- Make sure that the footrest is correctly centred in the belts, so that it is at a right angle in relation to the stretcher. The flat surface of the footrest should be in contact with the patient's feet.



Lifting the stretcher with the patient

- Secure the patient to the stretcher with the n.3 restraint belts provided
- Check that the belts are not too tight
- The operators must position themselves at either end of the stretcher (one at the foot-end and one at the head-end)
- Employ the correct lifting technique, to avoid strain, the operators must grasp the handles firmly at each end, then lift the stretcher.

Loading the stretcher onto an ambulance or other special vehicle

- Position the stretcher into the apposite space.

Unloading the stretcher from the ambulance

- Free the stretcher from any fixation system
- Grasp the stretcher and extract it from the vehicle

Transportation on steep terrain

- Position the footrest at the adequate level to avoid movement of the patient
- If the patient has wounds in the lower body, immobilise the legs with the adequate devices and secure the patient to the Dakota
- Secure the stretcher with a static safety system before lifting or lowering it
- Always assist the patient whilst manoeuvring

Use of floating device MOD. 518

This easy-to-use accessory is a must-have in water rescue, allowing the stretcher to stay in a vertical position. Follow the instructions below to fix it to the Dakota:

- Take the two floats and open the three belts with buckles with side clip.
- Fix one of the floats on the longest side of the stretcher at the head-end (the largest part of the framework).
- Passing on the outside of the stretcher insert in the frame the three male buckles paying attention, once looked, to close tightly the belts of the floats positioning it tightly on the outside of the strtcher.
- Repeat the same operation with the other floats.

4.4 END OF USE

Once transportation of the patient is concluded, you must clean the stretcher by following the cleaning instructions described in the maintenance paragraph and subsequently put the stretcher away.

4.5 TROUBLESHOOTING CHART

PROBLEM	CAUSE	ACTION
Damages to the frame	Improper use	Put the stretcher out of use immediately and contact the manufacturer
Damage to the wood platform	Improper use	Put the stretcher out of use immediately and contact the manufacturer

5 MAINTENANCE

5.1 CLEANING

Clean the external parts with a sponge and soap, use an appropriate mild detergent, dry. The frame can be cleaned with water and soap and disinfecting with an ordinary quaternary disinfectant.

Failure to carry out regular cleaning operations can result in risk of cross infection due to the presence of residues on the stretcher platform.

5.2 MAINTENANCE

Periodical and correct maintenance guarantees the durability of the stretcher.

When first using the stretcher, establish a maintenance programme, which includes periodical checks and identifies a person in charge.

Checks to be effected before starting to use the stretcher

- Integrity and functioning of the stretcher
- State of wear and tear (platform, footrest)
- Eventual loosening attachment of the platform to the frame

5.3 GENERAL OVERHAUL AND LIFE SPAN

Every year the device must undergo complete servicing by the manufacturer. It has a life span of 5 years.

6 ACCESSORIES AND SPARE PARTS

6.1 LIST OF SPARE PARTS

SPARE PARTS	CODE
Footrest for basket stretcher	ST04011A
Mod. 598 3-Piece Belts Derlin Fastener	ST00598A

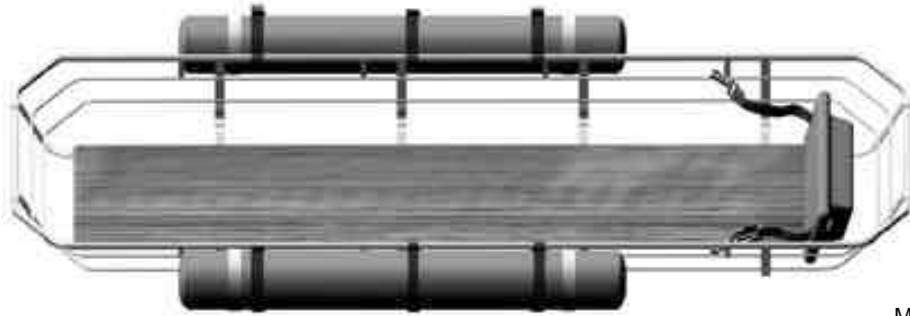
6.2 LIST OF ACCESSORIES

ACCESSORIES	CODE	ACCESSORIES	CODE
MOD. 519 lifting bridles	ST04519T	Spine board Spencer Rock	ST02030A
MOD. 518 flotation system	ST04518A	Head immobilizer Spencer Contour	SH00200A
MOD. 516 covering up system	ST04042A	Patient restraint system Rock Straps	ST02035A
Vacuum mattress R q matt plus	QM22100A	MOD. 550 quilted blanket	ST00550A

Reservation to make modifications. Spencer products are exported in many different countries worldwide, in which not always the same rules apply.

For this reason there could be some discrepancies between the descriptions above and the products delivered.

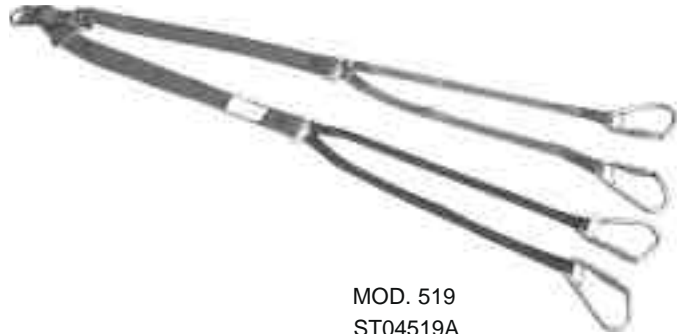
Spencer continuously strives for perfection in the production of all stretcher types. We therefore count on Your understanding if we make any ameliorating modifications, which may differ in shape, equipment, installation and technique to the above descriptions.



MOD. 518
ST04518A



Spencer Contuour
SH00200A



MOD. 519
ST04519A



R q matt plus
QM22100A